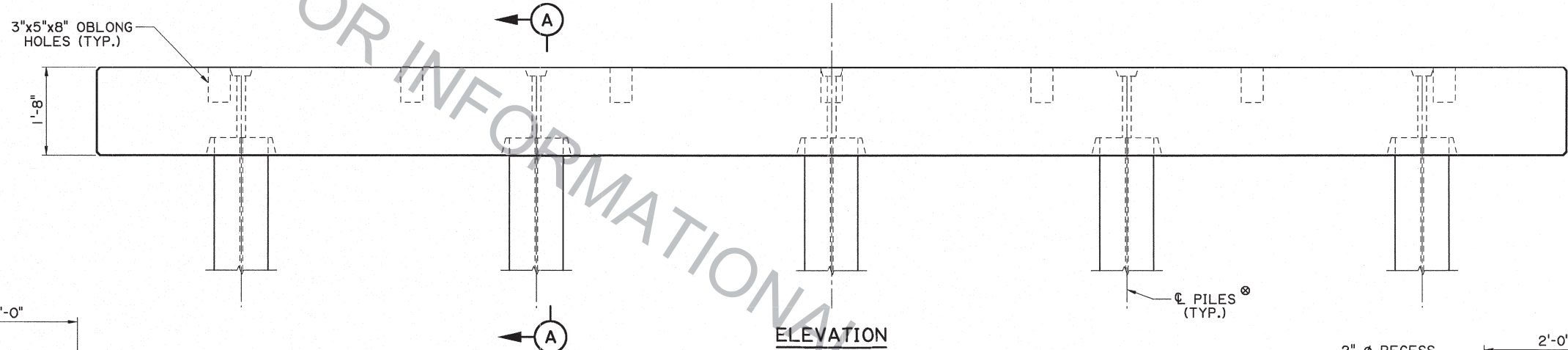
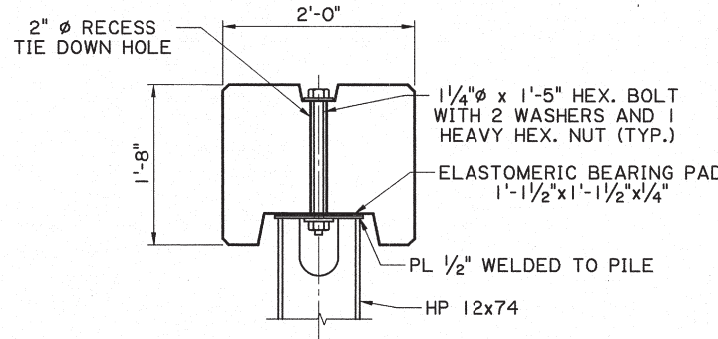


PLAN

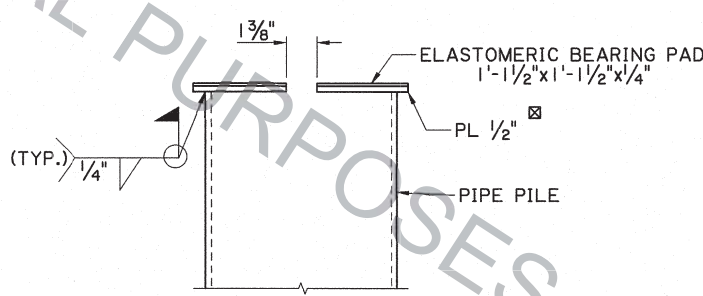
⊗ BATTER EXTERIOR PILES 1/2 ON 12 IN THE DIRECTION SHOWN WHEN "H" > 12'-0".



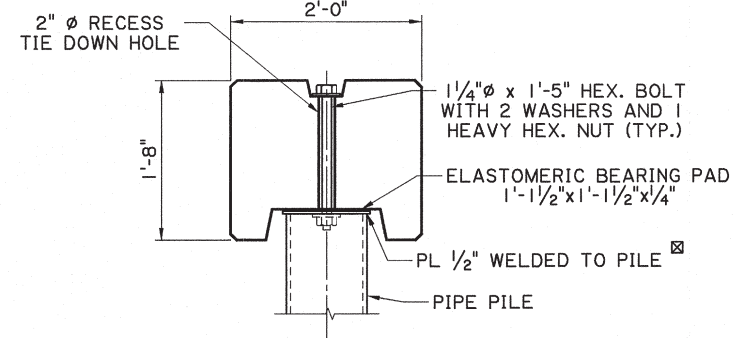
ELEVATION



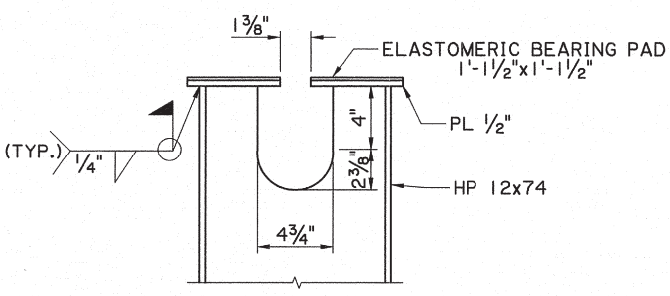
SECTION A-A
H-PILE



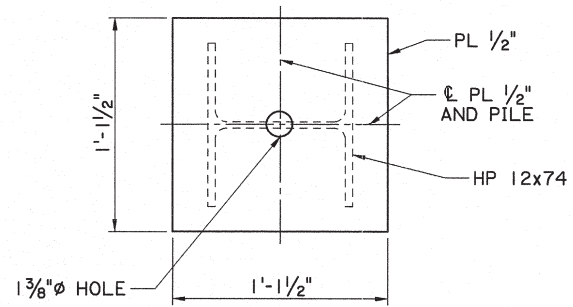
CONNECTION DETAIL
ELEVATION VIEW THROUGH CAP
SHOWING PILE TO PLATE CONNECTION
(PIPE PILE)



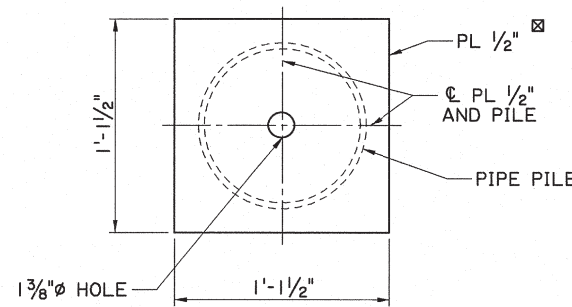
SECTION A-A
PIPE PILE



CONNECTION DETAIL
ELEVATION VIEW THROUGH CAP
SHOWING CUT-OUT DIMENSIONS (H-PILE)

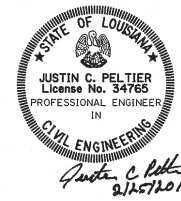


CONNECTION DETAIL
PLAN VIEW SHOWING
PLATE DIMENSIONS (H-PILE)



CONNECTION DETAIL
PLAN VIEW SHOWING
PLATE DIMENSIONS (PIPE PILE)

⊗ THE PL 1/2" AND THE ELASTOMERIC BEARING PAD SHALL BE BOLTED TO THE CAP PRIOR TO PLACEMENT OF THE CAP ON TOP OF THE PIPE PILES. ONCE THE CAP IS PLACED ON TOP OF THE PILES, THE PLATES SHALL BE WELDED TO THE PILES.



SHEET NUMBER		PARISH		CONTROL SECTION		STATE PROJECT	
DESIGNED	J. PELTIER	CHECKED	M. HEBERT	REVIEWED	P. VAUGHT	SERIES #	7 OF 16
DATE	03-01-17	NO.		REVISION OR CHANGE	DESCRIPTION	BY	K.M.B.
CORRECTED SPELLING							
END BENT TYPE "A" AND INTERMEDIATE BENT DETAILS							
BD.2.B.1.0.07 PRECAST PANEL DETOUR BRIDGE							
BRIDGE & STRUCTURAL DESIGN							